

HITEX COUPLINGS



HRI RIGID COUPLINGS

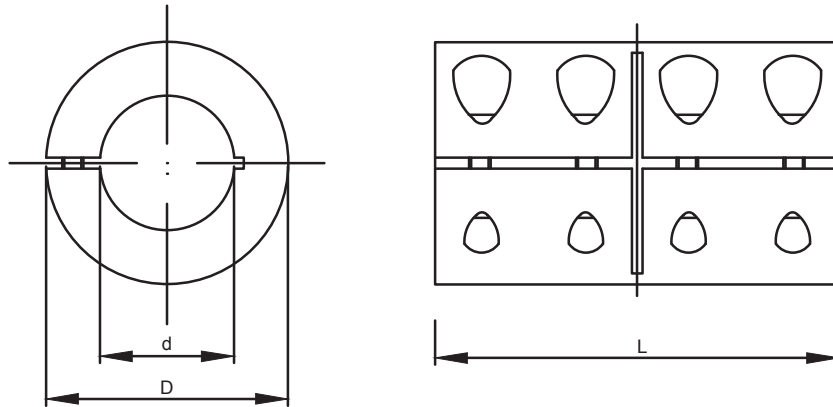
HITEX
POWER TRANSMISSION COMPONENTS



RIGID COUPLINGS

Specifications

- Torque range
25 - 2250 Nm
- Does not damage
the shaft
- To connect shafts
without misalignment
- Available in blackened
steel C45 and stainless
steel 1.4301

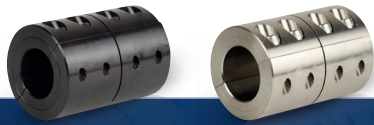
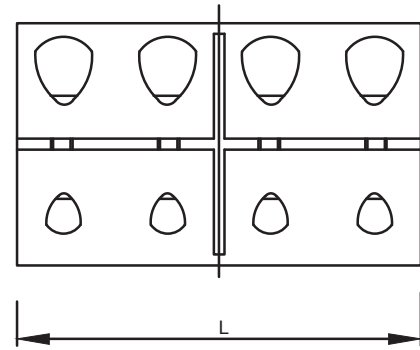
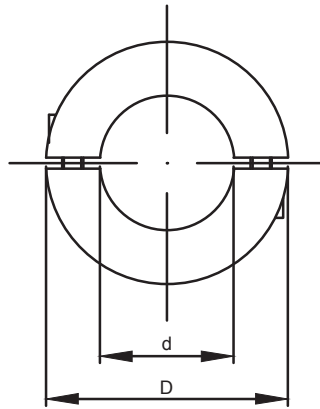


HRI one-piece clamp style

Size	Rated torque T_{Kmax} (Nm)		Dimensions (mm)			Clamping screw DIN 912			Weight	
	Steel	Stainless steel	d	D	L	M	Steel T_A (Nm)	Stainless steel T_A (Nm)	Steel M (g)	Stainless Steel M (g)
6	30	25	6	18	30	M3 x 8	2,1	1,1	35	47
8	50	40	8	24	35	M3 x 10	2,1	1,1	102	102
10	100	90	10	29	45	M4 x 12	4,6	2,5	185	185
12	100	90	12	29	45	M4 x 12	4,6	2,5	180	180
14	190	160	14	34	50	M5 x 16	9,5	5,4	272	272
15	190	160	15	34	50	M5 x 16	9,5	5,4	266	266
16	190	160	16	34	50	M5 x 16	9,5	5,4	261	261
20	350	300	20	42	65	M6 x 16	16	9,6	520	518
25	390	325	25	45	75	M6 x 16	16	9,6	518	623
30	475	400	30	53	83	M6 x 18	16	9,6	623	920
35	1.100	925	35	67	95	M8 x 25	39	23	920	1.880
40	1.325	1.100	40	77	108	M8 x 25	39	23	1.880	2.710
50	2.250	1.875	50	85	124	M10 x 25	77	46	2.710	3.520

Specifications

- Torque range
25 - 2250 Nm
- Two-pieced for easier installation
- Does not damage the shaft
- To connect shafts without misalignment
- Available in blackened steel C45 and stainless steel 1.4301



HRI two-piece clamp style

Size	Rated torque T_{Kmax} (Nm)		Dimensions (mm)			Clamping screw DIN 912			Weight	
	Steel	Stainless steel	d	D	L	M	Steel T_s (Nm)	Stainless steel T_s (Nm)	Steel M (g)	Stainless Steel M (g)
6	30	25	6	18	30	M3 x 8	2,1	1,1	35	47
8	50	40	8	24	35	M3 x 10	2,1	1,1	102	102
10	100	90	10	29	45	M4 x 12	4,6	2,5	185	185
12	100	90	12	29	45	M4 x 12	4,6	2,5	180	180
14	190	160	14	34	50	M5 x 16	9,5	5,4	272	272
15	190	160	15	34	50	M5 x 16	9,5	5,4	266	266
16	190	160	16	35	50	M5 x 16	9,5	5,4	261	261
20	350	300	20	42	65	M6 x 16	16	9,6	520	518
25	390	325	25	45	75	M6 x 16	16	9,6	518	623
30	475	400	30	53	83	M6 x 18	16	9,6	623	920
35	1.100	925	35	67	95	M8 x 25	39	23	920	1.880
40	1.325	1.100	40	77	108	M8 x 25	39	23	1.880	2.710
50	2.250	1.875	50	85	124	M10 x 25	77	46	2.710	3.520

PRODUCT GROUPS



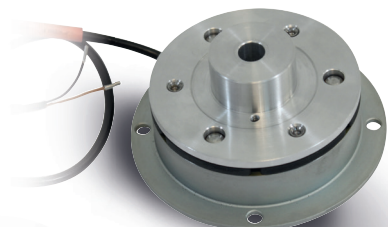
Couplings



Locking Assemblies



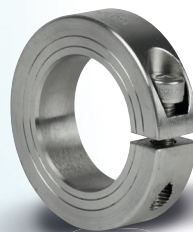
Universal Joints



Clutches & Brakes



Brakes



Collars

Skilled to get your ideas fulfilled

HITEX is a range of mechanical power transmission components dedicated to add value to all OEM industrial creations.

HITEX is produced using the latest technology & all knowledge and skills gained from experience in its factories to provide innovative and cost-effective engineered solutions.

Honored to have the opportunity to serve OEM customers worldwide, HITEX provides prompt and reliable deliveries to meet all aftersales requirements.

Our best technology is human

**European
Transmission
Company**

European Transmission Company B.V.
Laan van de Ram 49
7324 BW Apeldoorn
The Netherlands
Tel. +31 (0)881 200 300
info@europeantransmissioncompany.eu
www.europeantransmissioncompany.eu

Images may differ from reality. All content (logo, text, data, graphics, and images) may not be reproduced, copied, transmitted or manipulated without the prior written permission of the AZ Hollink Group. All content (text, diagrams and pictures) is subject to alteration. We accept no liability.

HITEX
POWER TRANSMISSION COMPONENTS

www.hitex.nl